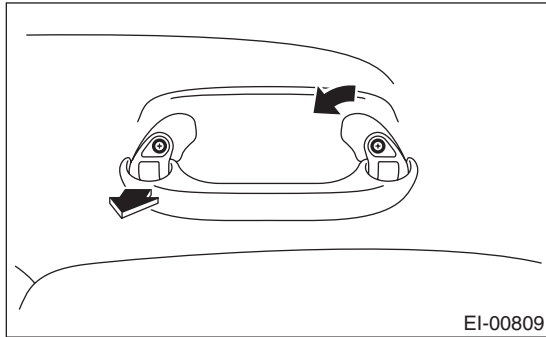


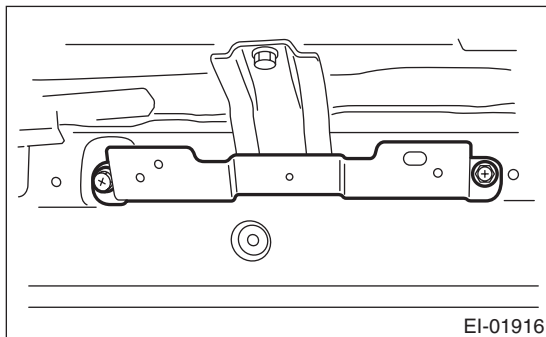
## 26. Assist Grip

### A: REMOVAL

- 1) Remove the screw cover, and remove the screw inside.
- 2) Pull the left side of assist grip, and rotate the right side of it counterclockwise to remove.



- 3) Remove the roof trim. <Ref. to EI-66, REMOVAL, Roof Trim.>
- 4) Remove the bolts, and remove the assist grip bracket.



### B: INSTALLATION

Install each part in the reverse order of removal.

#### ***Tightening torque***

***7.5 N·m (0.76 kgf-m, 5.5 ft-lb)***